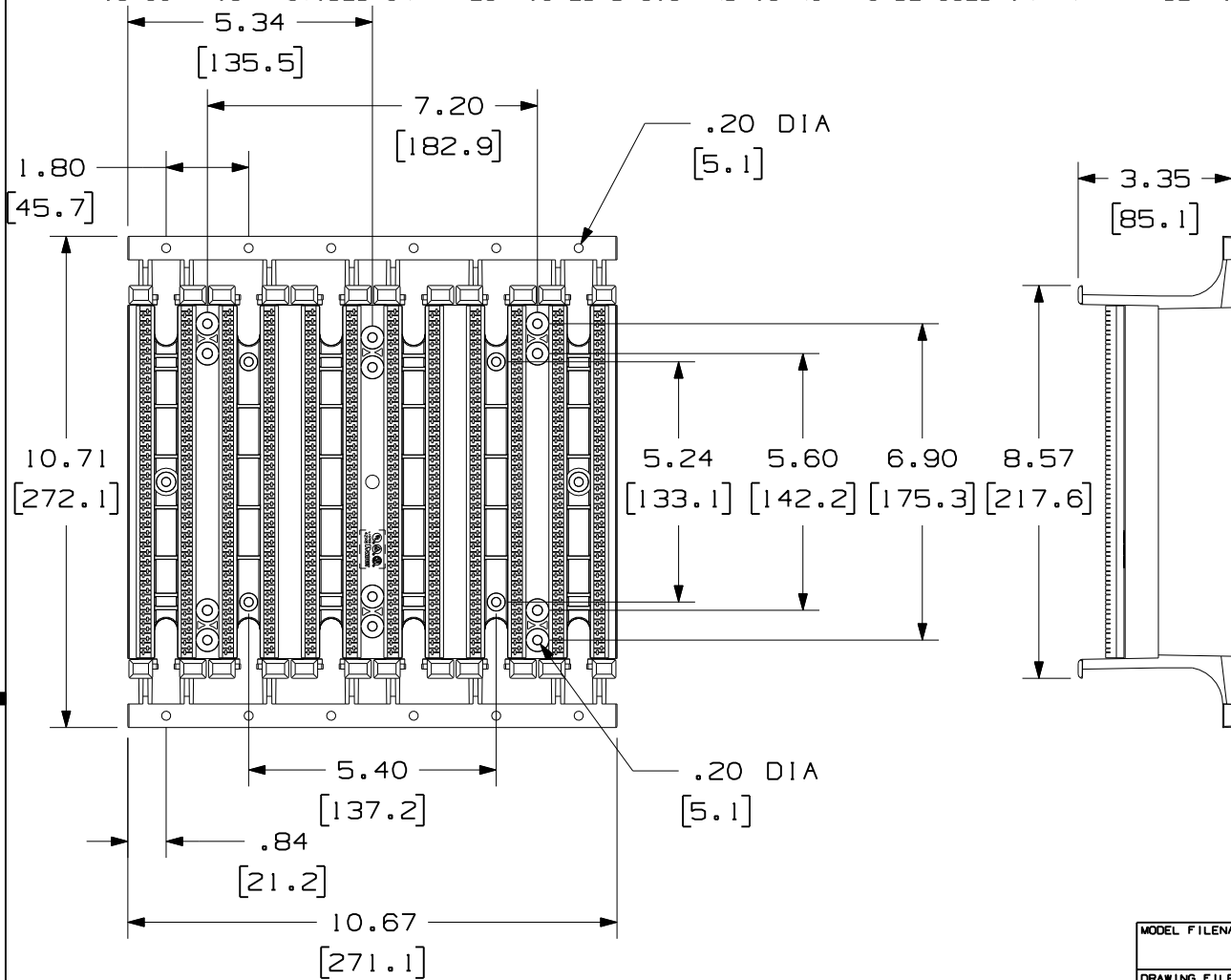
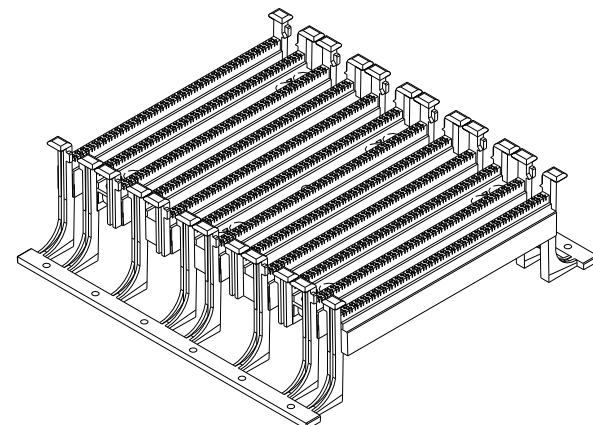


THIS COPY IS PROVIDED ON A RESTRICTED BASIS AND IS NOT TO BE USED IN ANY WAY DETRIMENTAL TO THE INTERESTS OF PANDUIT CORP.



PANDUIT P/N	WEIGHT
GPKBW432Y	1.95 LB/EACH (886 g/EACH)



MODEL FILENAME		A
DRAWING FILENAME	MO2479KF_DC267_00B.PRT	
		A

GIGA-PUNCH HIGH DENSITY FIELD TERMINATION KIT CUSTOMER DRAWING

<p>PANDUIT™ CORP. TINLEY PARK, ILL 60477</p>	I.I. NUMBER	
	PRODUCT SPEC/ PKG SPEC	
<p>THIRD ANGLE PROJECTION</p>	ASSY METHOD/ TEST METHOD	
	SCALE NONE	
DRAWN BY NER	REVIEW DRAWING NUMBERS	PART NO. GPKBW432Y
DATE 3-24-06	MAT'L SEE NOTES	DRAWING NO. 02479-267 SHEET 1 OF 2
CHK'D CEF		

REV	DATE	BY	CHK	DESCRIPTION	ECN	R	CUST	SUP	OTH
I	4-11-07	MDJr		A. UPDATED TITLE BLOCK.	02479-267				
R	3-24-06	NER	WOT	RELEASED TO PRODUCTION	02479-267	CEF	CEF		